

Tokai Hit: Thermal Control system for DiSPIM

(Glass Heater and 2 Lens Heater)



Lens Heater (rubber Heater)

To prevent objective become heat-sink during imaging.

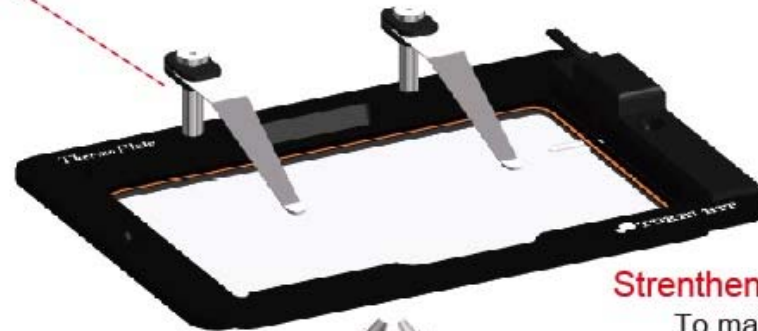


Cover

To prevent from environmental disturbances.



ASI dish holder



Strengthen Glass Heater

To maintain sample temperature by heating from beneath directly..



The system componets:

- Glass Heater + Controller
- Lens Heater (2pc) + Controller

Please contact Tokai Hit at solution@tokaihit.com for more information.