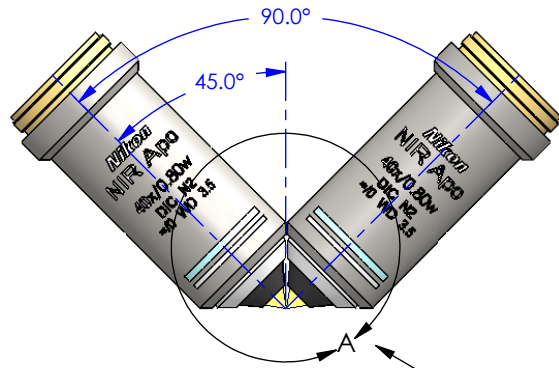
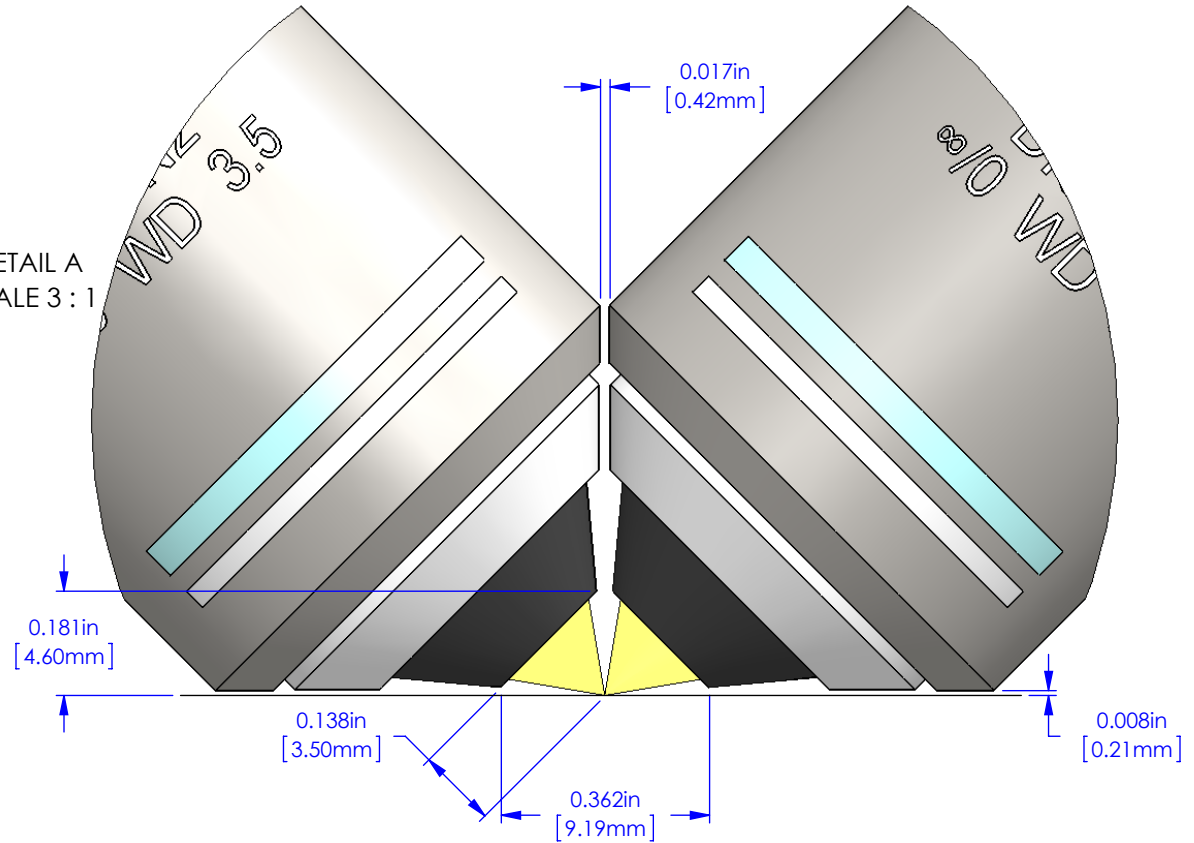


# CLOSE UP OF NIKON 40X diSpim OBJECTIVES

-Nikon 40X-NIR APO-0.80w-DIC N2-WD3.5



DETAIL A  
SCALE 3 : 1



**PROPRIETARY AND CONFIDENTIAL**

THE INFORMATION CONTAINED IN THIS DRAWING IS THE SOLE PROPERTY OF APPLIED SCIENTIFIC INSTRUMENTATION. ANY REPRODUCTION IN PART OR AS A WHOLE WITHOUT THE WRITTEN PERMISSION OF APPLIED SCIENTIFIC INSTRUMENTATION IS PROHIBITED.

**APPLIED SCIENTIFIC INSTRUMENTATION**

29391 W ENID RD  
EUGENE, OR 97402-9533  
PHONE: (541)461-8181  
FAX: (541)461-4018

UNLESS OTHERWISE SPECIFIED  
XX ± .01  
XXX ± .005  
XXXX ± .0002  
FRACTIONS ± 1/32  
ANGLES ± 1°

**DESCRIPTION**

-Nikon 40X-NIR APO-0.80w-DIC N2-WD3.5  
-diSpim CLEARANCE DIMENSIONS

**DRAWN BY/DATE**

M.ANTHONY 10-28-2015

**CHECKED BY/DATE**

JON.D. / G. RONDEAU

**SCALE**

1:1.5

**REV**

0

**MATERIAL**

-

**DRAWING #**

UPRIGHT MIM ASSEMBLIES.SLDDRW