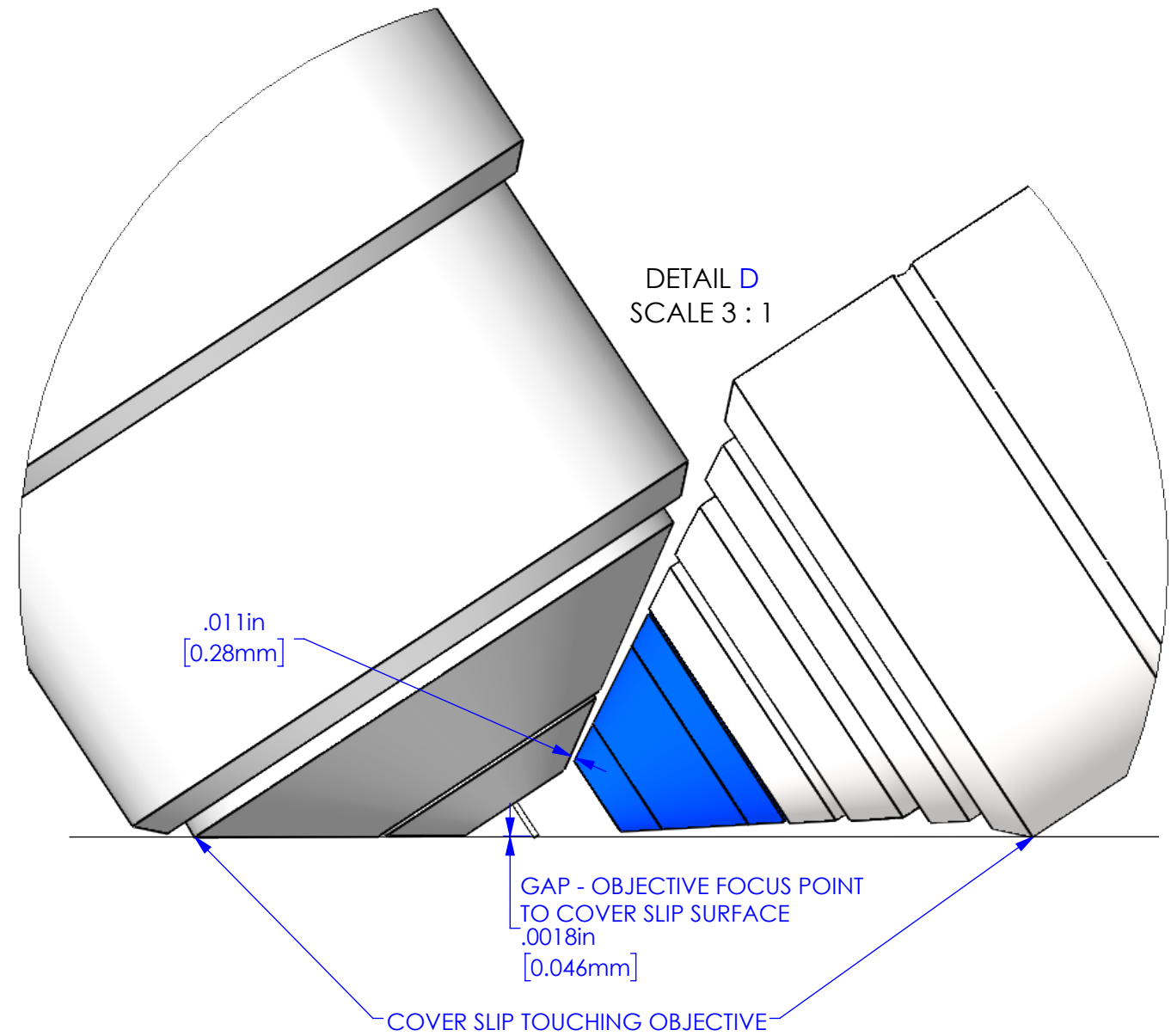
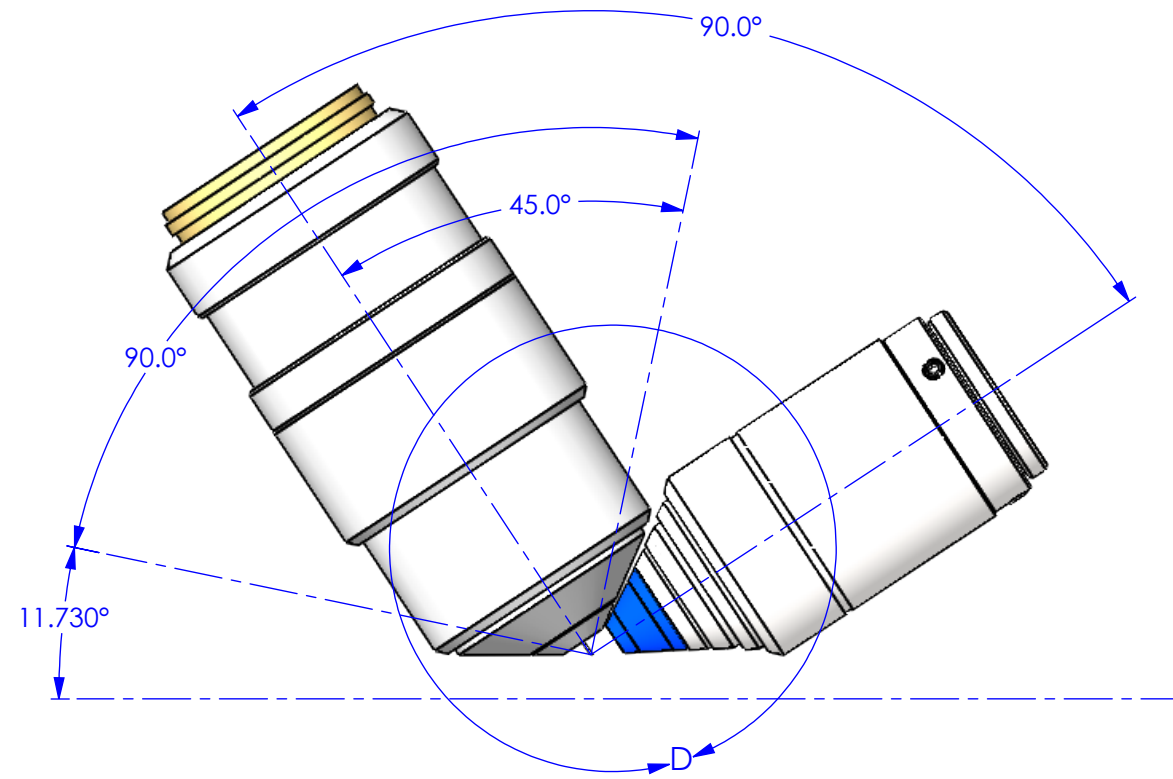


# CLOSE UP OF 11.73 ° TILTED diSpim OBJECTIVES



**PROPRIETARY AND CONFIDENTIAL**  
 THE INFORMATION CONTAINED IN THIS DRAWING IS THE SOLE PROPERTY OF APPLIED SCIENTIFIC INSTRUMENTATION. ANY REPRODUCTION IN PART OR AS A WHOLE WITHOUT THE WRITTEN PERMISSION OF APPLIED SCIENTIFIC INSTRUMENTATION IS PROHIBITED.

APPLIED SCIENTIFIC INSTRUMENTATION  
 29391 W ENID RD  
 EUGENE, OR 97402-9533  
 PHONE: (541)461-8181  
 FAX: (541)461-4018

**DRAWN BY/DATE**  
 M.ANTHONY 11-1-2016

UNLESS OTHERWISE SPECIFIED  
 .xx ± .01  
 .xxx ± .005  
 .xxxx ± .0002  
 FRACTIONS ± 1/32  
 ANGLES ± 1°

**CHECKED BY/DATE**  
 G.RONDEAU / HARI SHROFF

**DESCRIPTION**  
 -diSpim CLEARANCE DIMENSIONS  
 -NIKON 25x, 1.10w, WD2.0 / -SPECIAL OBJECTIVES #54-10-7

SCALE	REV	MATERIAL	DRAWING #
1:1	0	-	OBJECTIVE ASSEMBLY.SLDDRW

\\SERVIO1\Shared\CNC Files\CAM\Solid Works\COMMON PARTS LIBRARY\Objective Assembly for Reference - Gary.R. - 11-1-2016 [11.73 deg tilted diSpim]