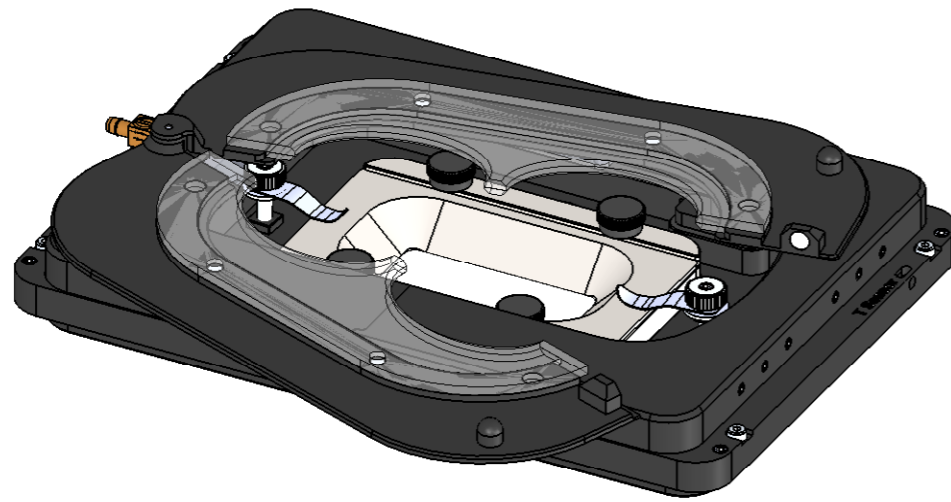


**PROPRIETARY & CONFIDENTIAL**

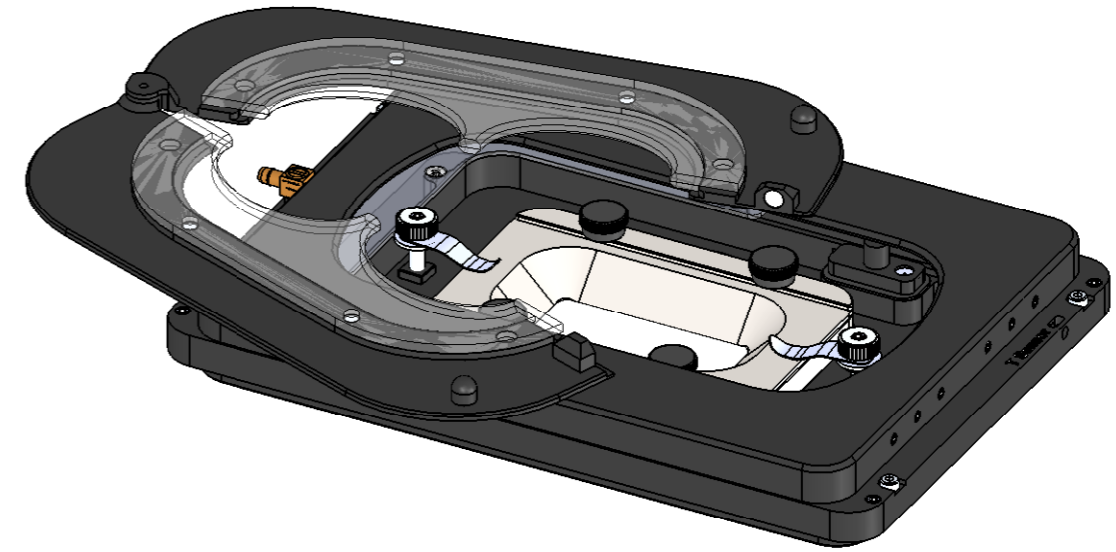
This document contains CONFIDENTIAL AND PROPRIETARY information of Okolab S.r.l., and neither it nor the information contained therein shall be disclosed to others or duplicated or used for others without the written consent of Okolab S.r.l.

How to Open the chamber to have access to the sample and to move the objective without any obstacle

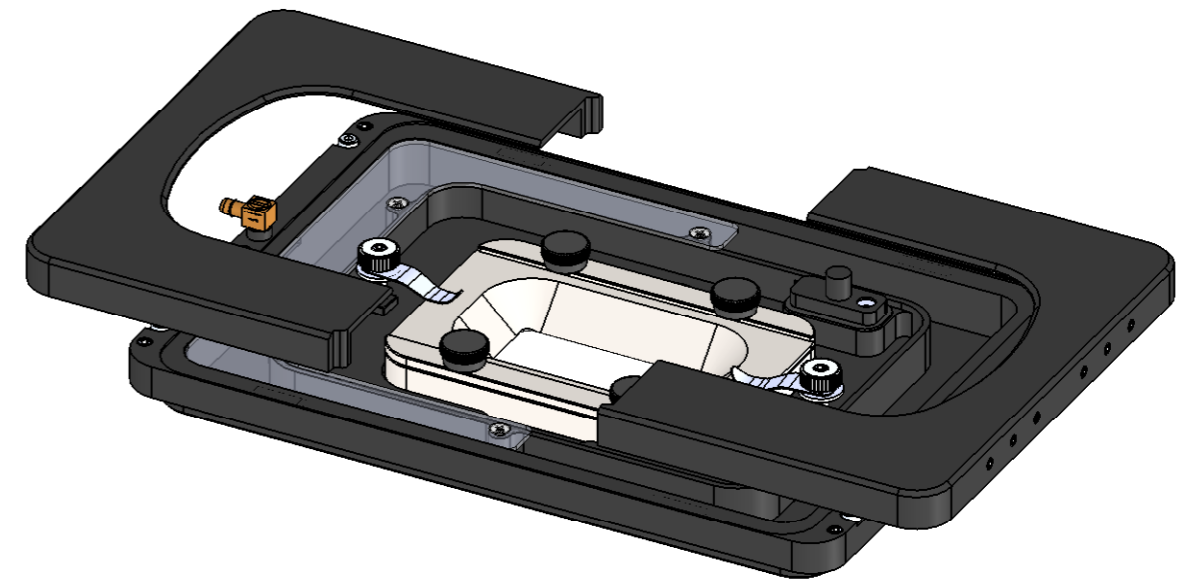
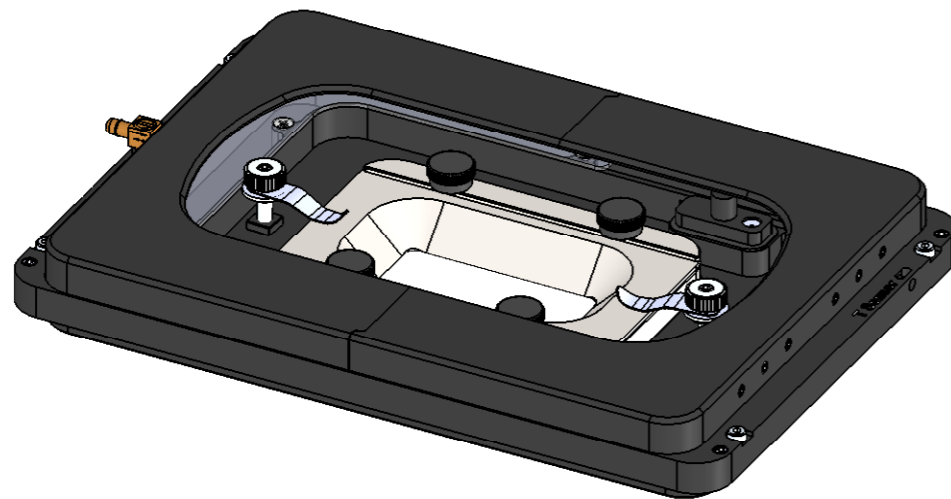
Open and Slide the Lid



Open and Slide the Lid

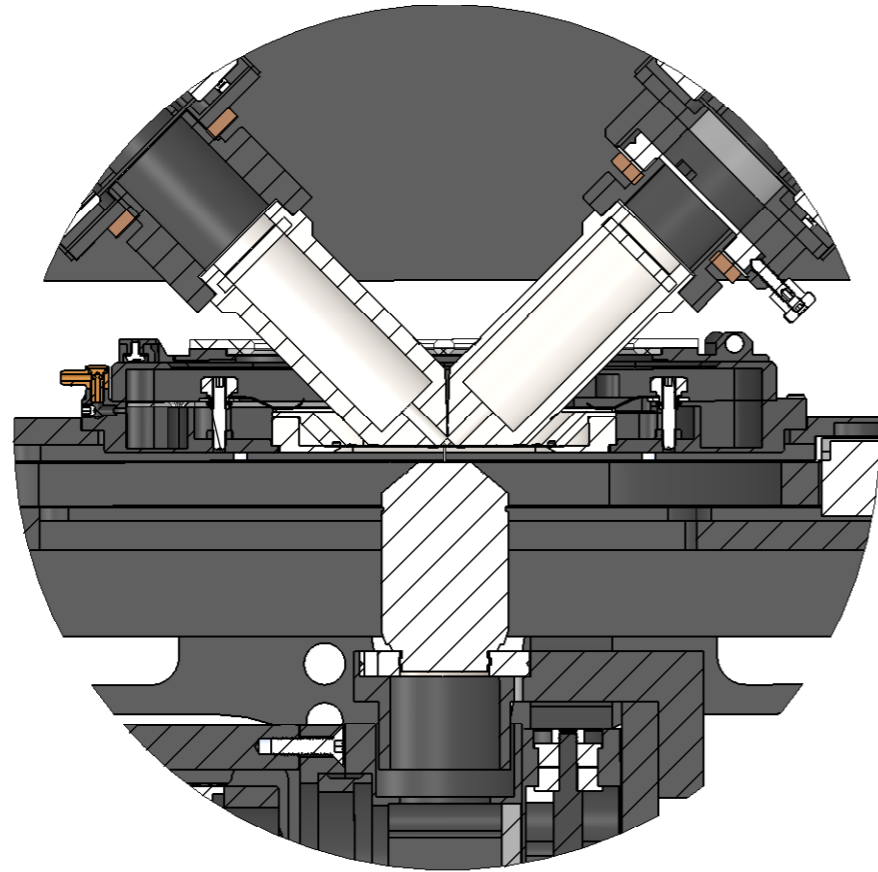


Disassemble the chamber body

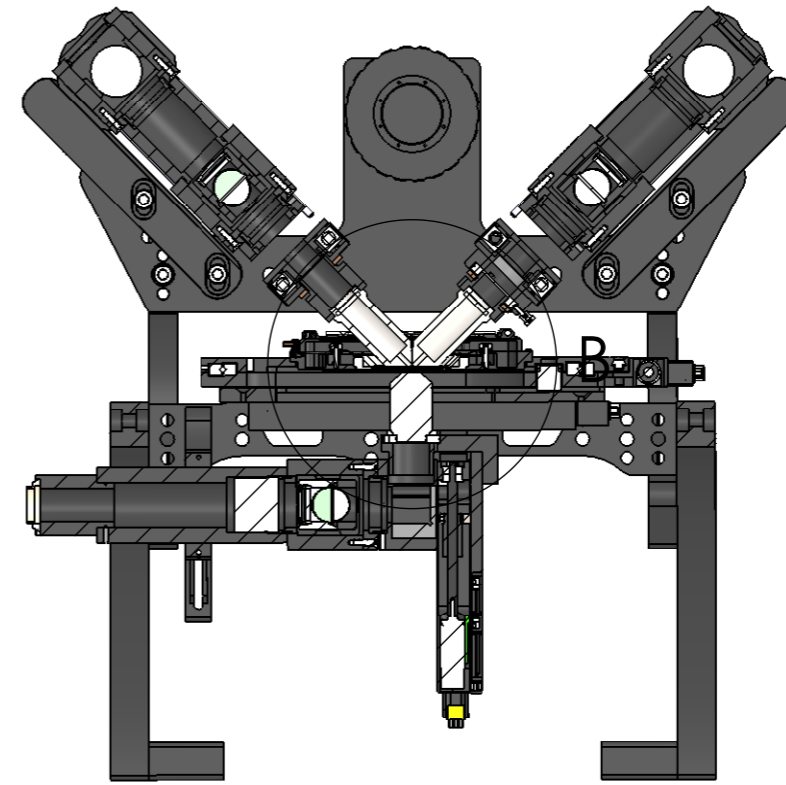


**PROPRIETARY & CONFIDENTIAL**

This document contains CONFIDENTIAL AND PROPRIETARY information of Okolab S.r.l., and neither it nor the information contained therein shall be disclosed to others or duplicated or used for others without the written consent of Okolab S.r.l.



DETAIL B  
SCALE 3 : 5



SEZIONE A-A

